

Cable gland - HC-M-KV-T-M25 - 1646191


Please be informed that the data shown in this PDF Document is generated from our Online Catalog. Please find the complete data in the user's documentation. Our General Terms of Use for Downloads are valid (<http://phoenixcontact.com/download>)



Metal screw connection with cable bend protection and strain relief, thread length: 7 mm, cable sealing area: 10 - 19 mm, clamping area: 14 - 21 mm, SW 30, screw connection: M25



Key Commercial Data

Packing unit	1 pc
GTIN	 4 017918 941338
GTIN	4017918941338
Weight per Piece (excluding packing)	78.510 g
Custom tariff number	74153300
Country of origin	Germany

Technical data

Dimensions

Length	44 mm
Length without connecting thread	37 mm
Connecting thread diameter	25 mm
Wrench size, union nut	30 mm
Wrench size, support	30 mm
Hexagon angular dimension	38 mm
Length of the connecting thread	7 mm
External cable diameter	10 mm ... 19 mm
Clamping range of the strain relief clip	14.00 mm ... 21.00 mm

Ambient conditions

Degree of protection (IP)	IP65
---------------------------	------

Cable gland - HC-M-KV-T-M25 - 1646191

Technical data

Ambient conditions

Ambient temperature (operation)	-20 °C ... 80 °C (static)
---------------------------------	---------------------------

General

No. of conductors	1
Cable gland material	Nickel-plated brass
Cable seal material	Perbunan
O-ring material	NBR
Shielded	no
Thread type on connection side	M25 x 1.5
Torque	12 Nm (Support sleeve) 8 Nm (Union nut)
Color	silver

Standards and Regulations

Halogen-free	no
--------------	----

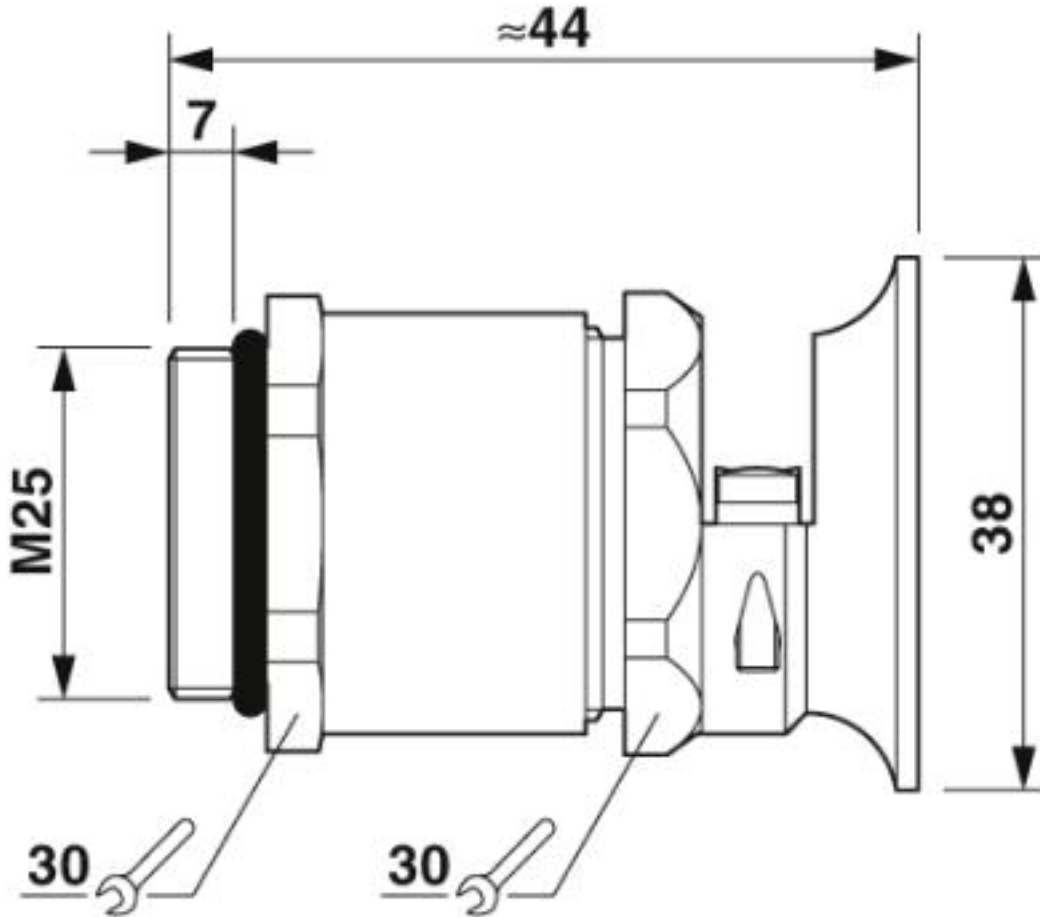
Environmental Product Compliance

	Lead 7439-92-1
China RoHS	Environmentally Friendly Use Period = 50
	For details about hazardous substances go to tab "Downloads", Category "Manufacturer's declaration"

Drawings

Cable gland - HC-M-KV-T-M25 - 1646191

Dimensional drawing



Dimensional drawing

Classifications

eCl@ss

eCl@ss 4.0	27141200
eCl@ss 4.1	27141200
eCl@ss 5.0	27149100
eCl@ss 5.1	27149100
eCl@ss 6.0	27149100
eCl@ss 7.0	27149109
eCl@ss 8.0	27149109
eCl@ss 9.0	27144432

Cable gland - HC-M-KV-T-M25 - 1646191

Classifications

ETIM

ETIM 2.0	EC000441
ETIM 3.0	EC000441
ETIM 4.0	EC000441
ETIM 5.0	EC000441
ETIM 6.0	EC000441
ETIM 7.0	EC000441

UNSPSC

UNSPSC 6.01	30211808
UNSPSC 7.0901	39121408
UNSPSC 11	39121408
UNSPSC 12.01	39121408
UNSPSC 13.2	39121311